

# Practicon® GP Cut™ Gutta Percha Cutter

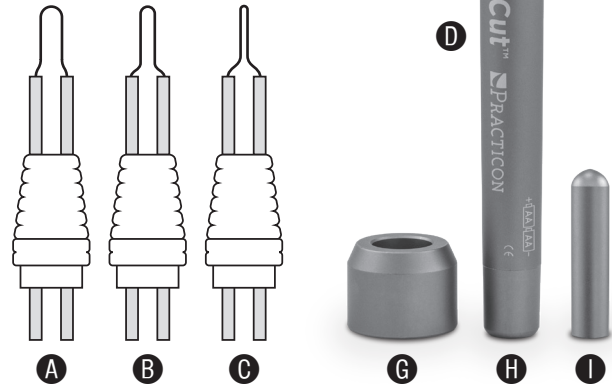
## Instructions for use

The cordless **GP Cut** cuts gutta percha quickly, cleanly and safely in the pulp chamber.

- Fingertip control button heats tip up to 1,832°F (1,000°C).
- Immediate heat up and cool down (< 1 sec.) ensures safe operation.
- Durable metal casing can be cleaned with surface disinfectant.
- Uses two AA batteries (not included).
- Three flexible, interchangeable cutting tips included.

### Contents and controls:

- Ⓐ (1) Large (2.0mm wide) GP Cut Replacement Tip
- Ⓑ (1) Medium (1.2mm wide) GP Cut Replacement Tip
- Ⓒ (1) Small (0.5mm wide) GP Cut Replacement Tip
- Ⓓ Body (1.85cm diameter x 20cm long with tip)
- Ⓔ Head
- Ⓕ Power Button
- Ⓖ Storage Base
- Ⓗ Battery Cover
- Ⓘ Tip Cap



### To use GP Cut:

1. Install two AA alkaline batteries according to the diagram on GP Cut body.
2. Cover with a barrier sheath (sold separately) to protect against cross-contamination.
3. Insert the selected tip into the head of the GP Cut. Cutting wire can be bent as needed for access.
4. Touch tip to gutta percha at desired cutting point and press power button for 2 seconds. Cut gutta percha and release power button.
5. For maximum patient safety, wait 3 seconds before withdrawing GP Cut from the oral cavity.
6. Body of GP Cut can be cleaned with surface disinfectant.
7. Interchangeable cutting tips can only be disinfected by cold sterilization.

### CAUTION:

DO NOT touch tip during operation due to extreme high temperature.  
DO NOT press power button for more than 5 seconds.

### Optional Accessories:

**71-36211 GP Cut Replacement Tips.** Available in small, medium, large, and angled small. *Specify size when ordering.*

**70-19721 QUIKsheath Barriers Low Speed Straight** pull over the GP Cut handle to protect against cross-contamination. 500 clear plastic sheaths per box.

Manufactured for

# PRACTICON

PRACTICAL INNOVATIONS FOR DENTISTRY

1-800-959-9505 • Fax 1-800-278-0885

practicon.com • Greenville, NC 27834

Made in Taiwan • IFU 7136210\_3